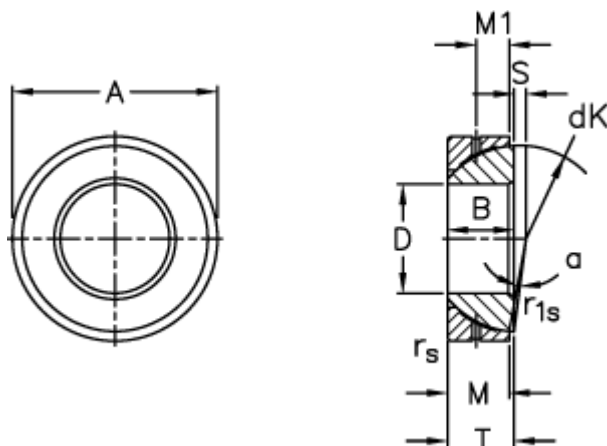


Article number: 03509120

Description: Fluro Rod end GE 120SX

Measures



A	= 180 0 -0,025	S	= 14.5
B	= 38	Static load C0 (kN)	= 2550
D	= 120 0 -0,020	T	= 38 +0,25 -0,60
dK	= 168	Tilt angle	= 0.5
Dynamic load C (kN)	= 510	Weight	= 3970
M	= 37		
M1	= 19		
rs, r1s min	= 2		